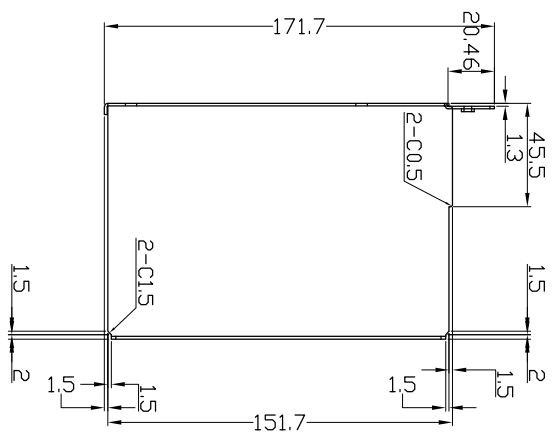
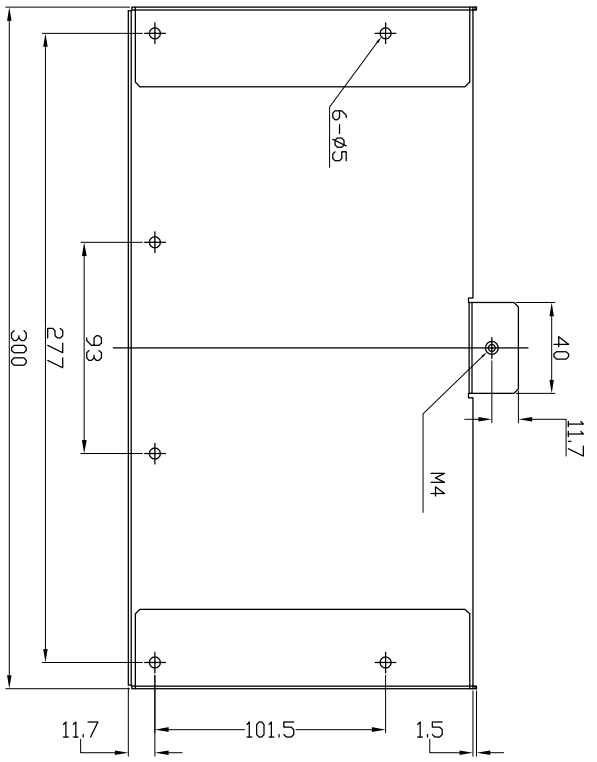
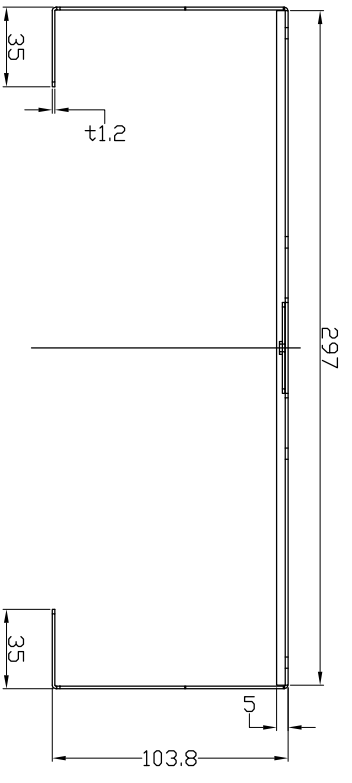


INVERTER MODEL LIST

ITEM NO.	MODEL NUMBER
1	3T603060
2	
3	
4	



PROPRIETARY AND CONFIDENTIAL
 THE INFORMATION CONTAINED IN THIS
 DRAWING IS THE SOLE PROPERTY OF
 HITACHI USA LTD. ANY
 REPRODUCTION IN PART OR AS A WHOLE
 WITHOUT THE WRITTEN PERMISSION OF
 HITACHI USA LTD. IS PROHIBITED



UNLESS OTHERWISE SPECIFIED		DRAWN		DATE	
DIMENSIONS ARE IN MM/INCHES		DBM		23JAN19	
GENERAL TOLERANCES ACCORDING TO ISO 2768-MF		CHECKED		TITLE:	
INTERPRET GEOMETRIC TOLERANCING PER		ENG APPR.		3T603060	
MATERIAL		MFG APPR.		PART 2 OF 2	
FINISH		COMMENTS:		P1-CB-D	
		SIZE DWG. NO.		REV	
		SCALE:		A	
		WEIGHT:		SHEET 1 OF 1	