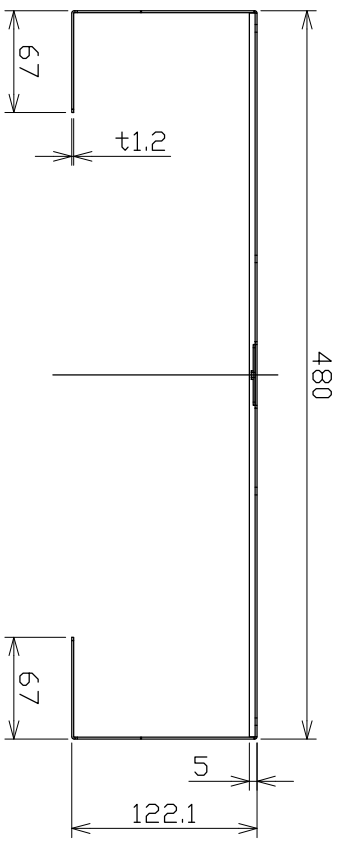
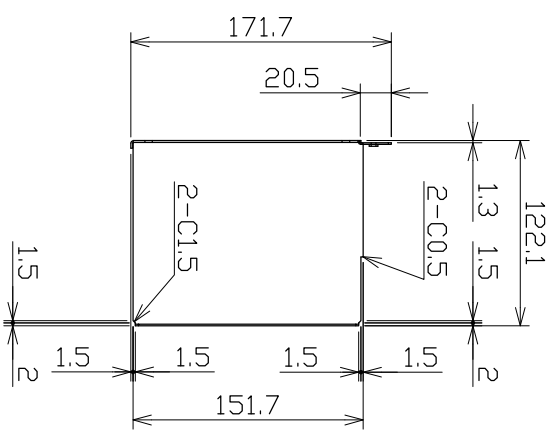
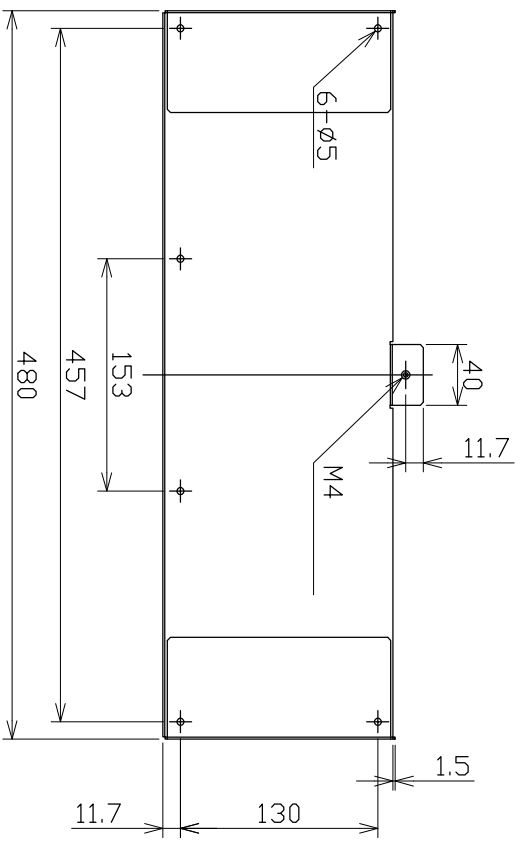


INVERTER MODEL LIST

ITEM NO.	MODEL NUMBER
1	3T603064
2	
3	
4	



PROPRIETARY AND CONFIDENTIAL

THE INFORMATION CONTAINED IN THIS DRAWING IS THE SOLE PROPERTY OF HITACHI USA LTD. ANY REPRODUCTION IN PART OR AS A WHOLE WITHOUT THE WRITTEN PERMISSION OF HITACHI USA LTD. IS PROHIBITED

UNLESS OTHERWISE SPECIFIED		NAME	DATE
DIMENSIONS ARE IN MM/INCHES		DBM	23JAN19
GENERAL TOLERANCES ACCORDING TO ISO 2768-MF			
INTERPRET GEOMETRIC TOLERANCING PER MATERIAL			
FINISH			
DRAWN			
CHECKED			
ENG APPR.			
MFG APPR.			
Q.A.			
COMMENTS:			
TITLE:		3T603064	
PART 2 OF 2		P1-CB-F,H	
SIZE DWG. NO.		REV	
SCALE:		A	
WEIGHT:		SHEET 1 OF 1	