

# HITACHI

## Inspire the Next

### Application Note:

### SJ series type P1 - PID Control

Please also refer to the  
Inverter Instruction Manual

AN190610-1 Rev A

**Hitachi America, Ltd.**

© 2019 Hitachi America, Ltd.

---

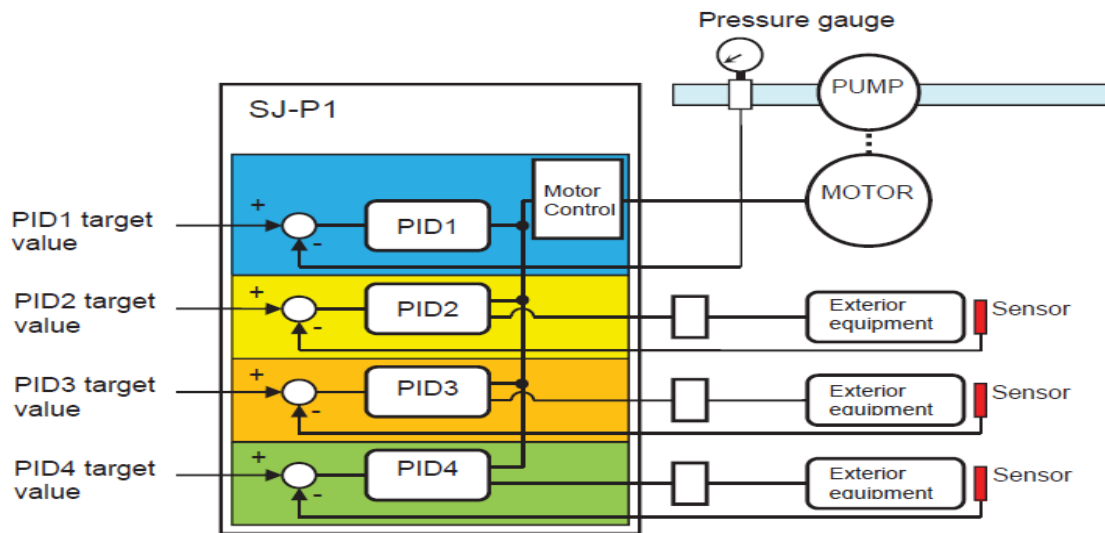
## ***Hitachi SJ series type P1 PID Function***

---



### **Overview**

The SJ series type P1 inverters are equipped with 4 independent PID functions, and each PID can be set independently. The four PID functions can be used for motor control and they can be interchanged by switching the intelligent input terminals programmed via parameters CA-01 through CA-11 as PIO1(PID output switching 1 - function 56) and PIO2(PID output switching 2 - function 57). PID function not used for motor control can be used for operation of exterior equipment using PID, not related to the inverter control. The PID control loops can be used as constant flow control for fan and pump applications. Please see the illustration below.

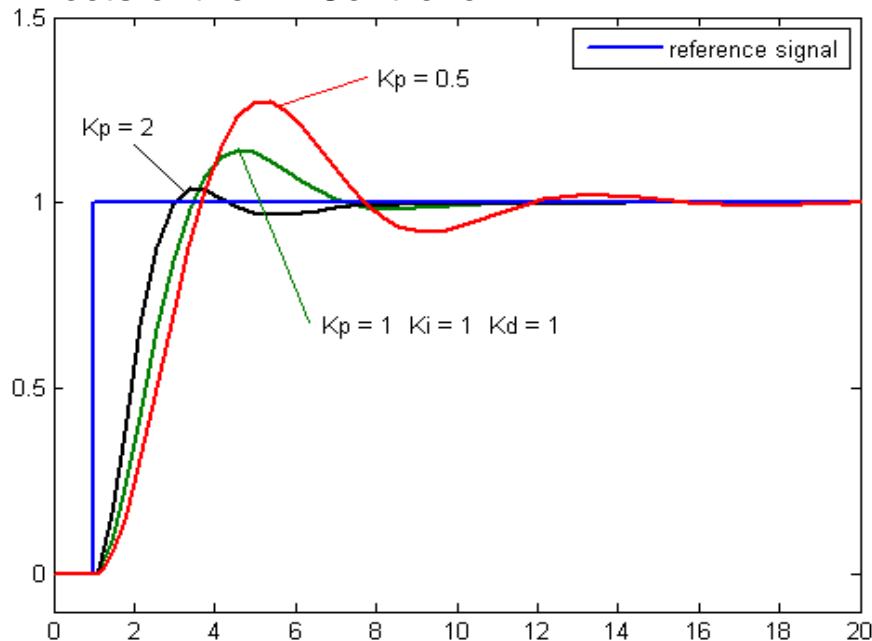


In this example, the PID control loop is used to control the output frequency of the inverter according to the PID calculation, which is the deviation or error between a user defined Setpoint and Process Variable (Feedback). This deviation or error is constantly being corrected using 3 main parameters or Gains.

## P: Proportional Gain

The proportional gain controls the PID command value so that it is proportional to the deviation between the target value (setpoint) and feedback values. The Proportional Gain can be set with parameter **AH-61**.

### Effects of the P - Controller

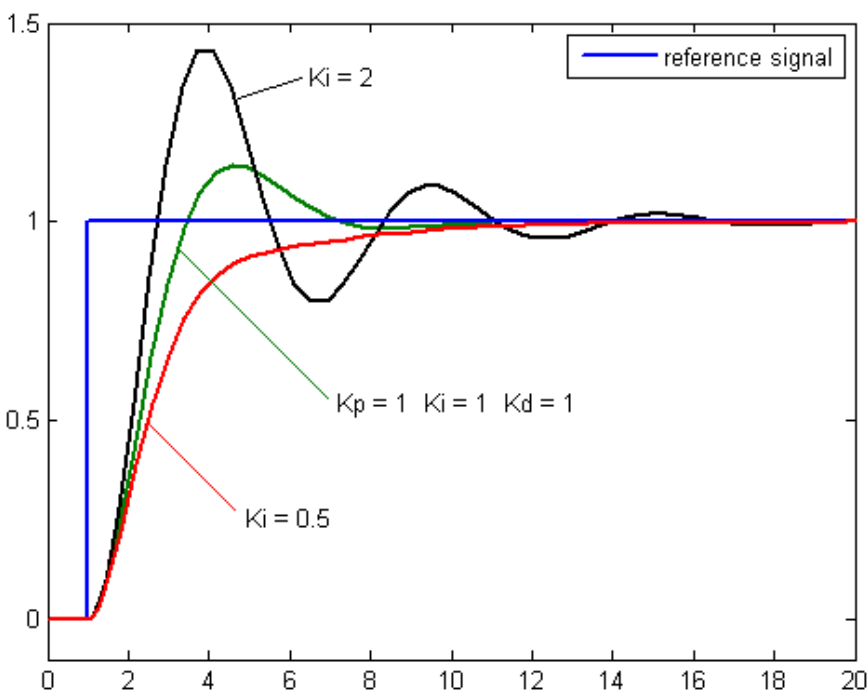


A high proportional gain results in a large change in output for a given change in the error  
 Too much P-gain can result in instability or oscillation  
 Too little P-gain will result in sluggish response  
 P-gain alone will always result in a steady-state error, also called offset or droop.

## I: Integral Gain

The Integral Gain controls the PID command value so that it is proportional to the time integral value of the deviation between the target value (setpoint) and feedback value. The output change becomes smaller due to the PID target value (setpoint) and feedback values becoming closer. It takes time to reach the target value in P operation and so it is compensated with the I operation. Parameter **AH-62** can be used to adjust the I Gain.

### Effects of the I - Controller

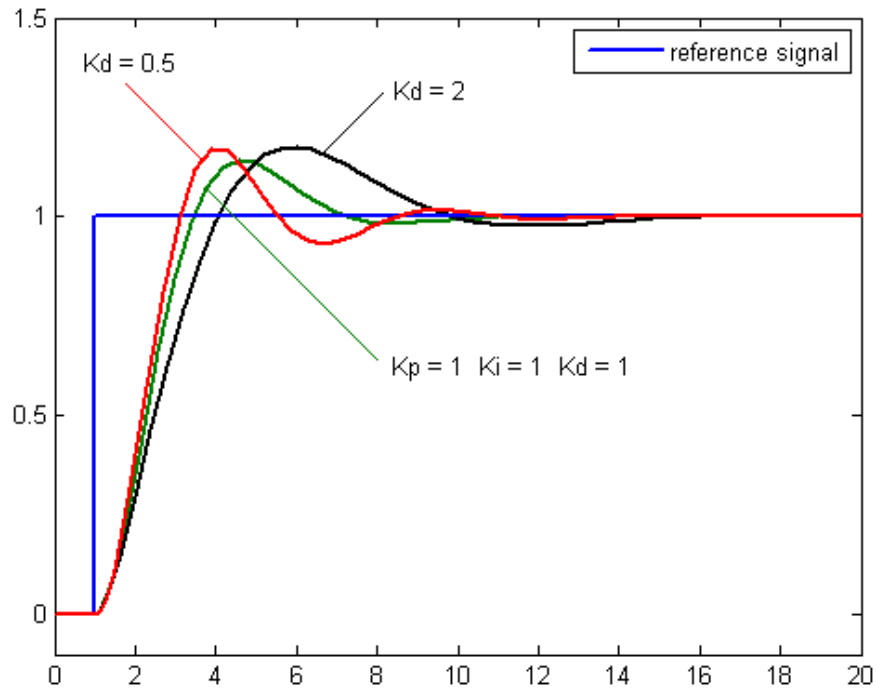


The integral term is a function of both the size and duration of the error. It sums the instantaneous error over time (integrates) Since it reacts to PAST errors, too much I-gain can result in overshoot or oscillation  
When added to P-gain, it acts to correct the offset error that cannot be corrected by P-gain alone

## D: Derivative Control

The Derivative controls an operation amount of PID command value that is proportional to the rate of change of the deviation between the PID target value (setpoint) and the feedback value. Parameter **AH-63** is used to change the D-controller. The Derivative operation has an effect to compensate the responsiveness of P operation and I operation. Normally the D- controller is not used in the control process such as flow, pressure, and temperature.

## Effects of the D - Controller



The derivative term is related to the rate of change of the error (slope of the curve) over time

A rapidly changing error will make a larger D contribution to the overall correction than a slow one

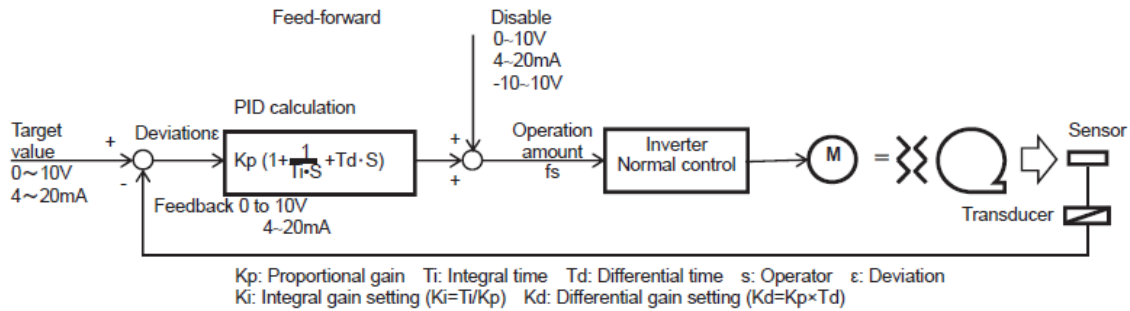
The derivative term can amplify noise and thus cause instability  
It is rarely needed in our type of systems

The optimal gain factors of PID vary from system to system. This means it is necessary to set the PID parameters by considering the individual control features of the application. For good PID control consider the following characteristics:

- Stable Performance
- Quick Response
- Small steady-state deviation

Please see below for the basic PID loop diagram.

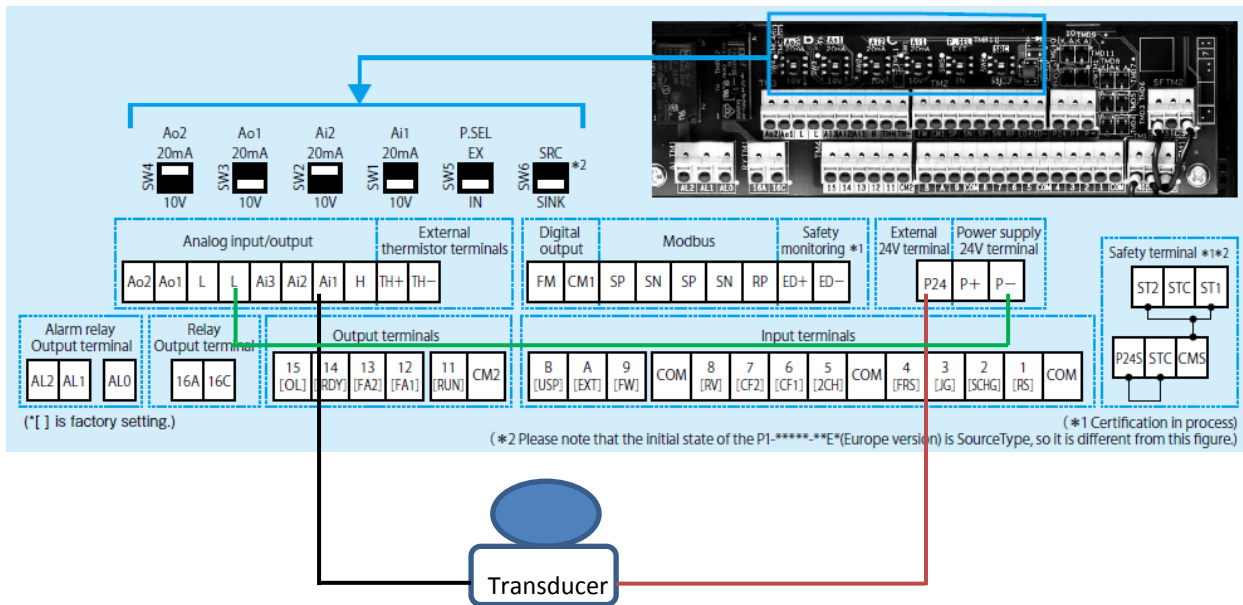
■ Basic composition of PID control



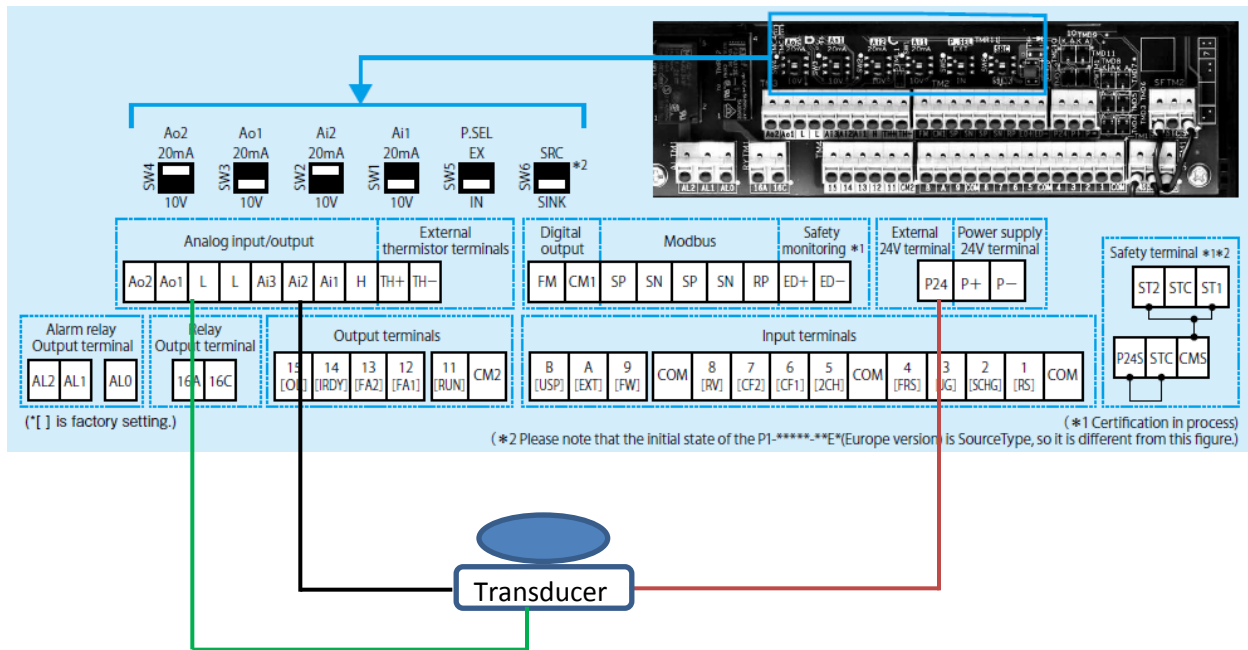
## Wiring the SJ series type P1 for PID control

The SJ series type P1 inverter has an internal 24Vdc power supply that can be used for transducer excitation.

Terminal P24 is the positive 24Vdc and the analog input can be wired into Ai1, Ai2, or Ai3. Ai1 and Ai2 can be either 0-10Vdc or 0-20mA inputs, configured with the dip switches. Ai3 is -10Vdc to +10Vdc and can be used for frequency command and feedback. Terminal L is the common for the analog inputs. If using a three-wire transducer; wire into the P24, L, and Ai1, Ai2, or Ai3 terminals. If using a two-wire transducer; wire the P24 and Ai1, or Ai2 terminals. You must also connect/wire/jumper the P- terminal with the L terminal. Please see below for wiring examples.



2 -Wire Transducer powered with P1 internal 24Vdc power supply.



3 -Wire Transducer powered with P1 internal 24Vdc power supply.

## Programming the SJ series type P1 inverter for PID control

Please follow the steps below for programming the SJ-P1 for PID control.

1. Set parameter **AH-01** to 01 (enable)
2. Set parameter **AA101** (Main Speed Source) to function 15 (PID calculation)
3. Parameter **AH-07** (PID 1 SV-1 source) should be set to the desired setpoint source. Example: to enter the PID setpoint via the keypad choose 07 (Keypad)
4. Parameter **AH-51** (PID1 PV-1 Source) should be set to the desired process variable source (feedback). Example: using a 4-20mA transducer on Ai2, AH-51 will be set to option 2 (Term. Ai2).
5. Set the PID gains, as mentioned above, to the specific application using parameters **AH-61**, **AH-62**, and **AH-63**.
6. Set parameter **AA111** to the desired run command source. Example: set to option 2 (Run key Keypad).

\*\*There are other parameters that enable different options and features of the PID control.\*\*

**AH-02** – PID1 deviation negative, when enabled the polarity of the deviation is inverted.

**AH-03** – PID Unit Select, allows engineering units to be assigned to the PID parameters. Example: option 57 (PSI)

\*\*The PID unit select function changes the units and scale of the following parameters:

**FA-30** – PID1 target value 1

**FA-32** – PID1 target value 2

**db-30** – PID1 feedback monitor 1

**db-32** – PID1 feedback monitor 2

**AH-10** – PID1 target value 1 set value

**AH12—AH-40** – PID1 multi-layer target value 1 to 15

**AH-44** – PID1 target value 2 set value

**FA-36** – PID2 target value

**db-36** – PID2 feedback monitor

**AJ-10** – PID2 target value set value

**FA-38** – PID3 target value

**db-38** – PID3 feedback monitor

**AJ-30** – PID3 target value set value

**FA-40** – PID4 target value

**db-40** – PID4 feedback monitor

**AJ-50** – PID4 target value set value



Please choose the engineering units from the table below.

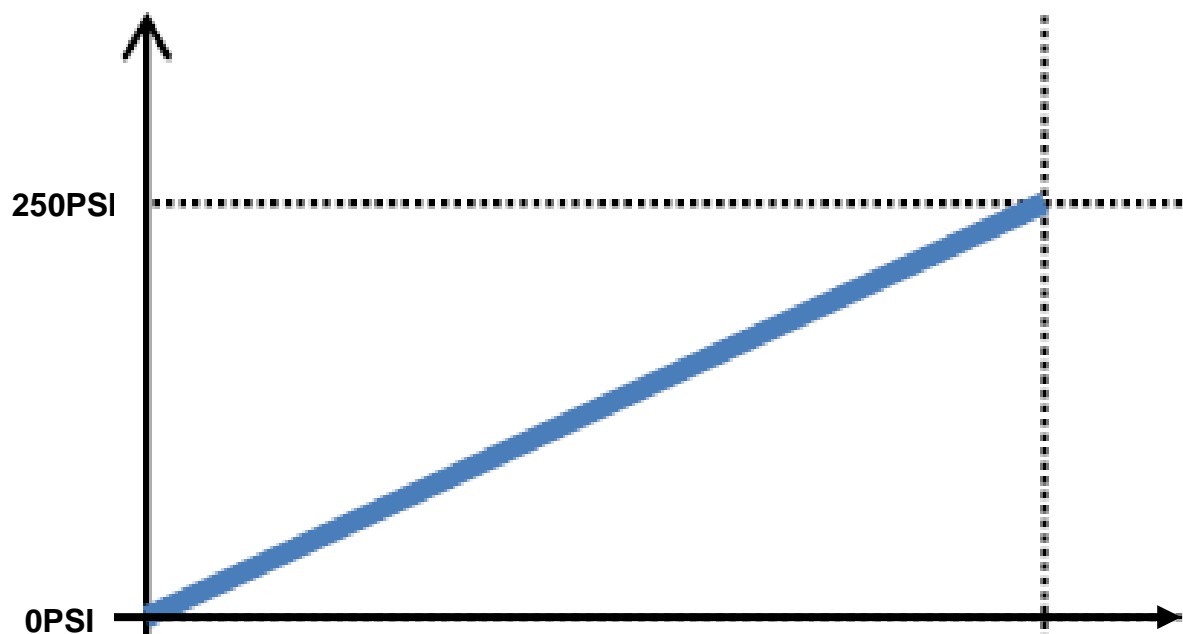
Function Code	Unit	Function Code	Unit
00	non	29	ft/h
01	%	30	m
02	A	31	cm
03	Hz	32	°F
04	V	33	l/s
05	kW	34	l/min
06	W	35	l/h
07	hr	36	m <sup>3</sup> /s
08	s	37	m <sup>3</sup> /min
09	kHz	38	m <sup>3</sup> /h
10	ohm	39	kg/s
11	mA	40	kg/min
12	ms	41	kg/h
13	P	42	t/min
14	kgm <sup>2</sup>	43	t/h
15	pls	44	gal/s
16	mH	45	gal/min
17	Vdc	46	gal/h
18	°C	47	ft <sup>3</sup> /s
19	kWh	48	ft <sup>3</sup> /min
20	mF	49	ft <sup>3</sup> /h
21	mVs/rad	50	lb/s
22	Nm	51	lb/min
23	min <sup>-1</sup>	52	lb/h
24	m/s	53	mbar
25	m/min	54	bar
26	m/h	55	Pa
27	ft/s	56	kPa
28	ft/min	57	PSI
		58	mm

**AH-04** – PID1 Scale Adjust (0%), allows scaling on the 0%, low end, of the PID control

**AH-05** – PID1 Scale Adjust (100%), allows scaling on the 100%, upper end, of the PID control.

**AH-06** – PID1 Scale Adjust (Point), allows scaling with the decimal point in the PID control.

\*\*Example of PID1 scaling: if the transducer measuring range is 0-250PSI and is wired into Ai1 (0-10Vdc) set AH-04 to 0, set AH-05 to 250, and set AH-06 to 0. For better resolution of the feedback (tenths); you may set AH-04 to 0, and AH-05 to 2500 and set AH-06 to 1.\*\*



**AH-10** – PID1 SV-1 setting, used as the PID setpoint when parameter AH-07 is set to option 07 (Keypad)

\*\*There are also many options with PID1 such as: multiple target values (setpoints), multiple feedback data values, PID Feed-Forward, and multiple P, I, and D gains. Please see the optional parameters below.

**AH-42** – PID1 SV-2 Source, optional setpoint source for PID1

**AH-46** – PID1 SV-3 Source, optional setpoint source for PID1

**AH-50** – PID1 SV-1 calculation, operator selection for target values (setpoints)

**AH-52** – PID1 PV-2 Source, process variable 2 source

**AH-53** – PID1 PV-3 Source, process variable 3 source

**AH-54** – PID1 PV Calculation, operator selection for process variables

**AH-64** – PID1 P-Gain 2

**AH-65** – PID1 I-Gain 2

**AH-66** – PID1 D-Gain 2

**AH-70** – PID Feed-Forward selection

**\*\*There are several monitoring points in the PID loop calculations\*\***

**FA-30** – PID target value 1

**FA-32** – PID target value 2

**FA-34** – PID target value 3

**db-30** – PID1 feedback monitor 1

**db-32** – PID1 feedback monitor 2

**db-34** – PID1 feedback monitor 3

**db-42** – PID1 target value monitor (after calculation)

**db-44** – PID1 feedback monitor (after calculation)

**db-50** – PID1 output monitor

**db-51** – PID1 deviation monitor

**db-52** – PID1 deviation 1 monitor

**db-53** – PID1 deviation 2 monitor

**db-54** – PID1 deviation 3 monitor

**db-61** – PID current P gain monitor

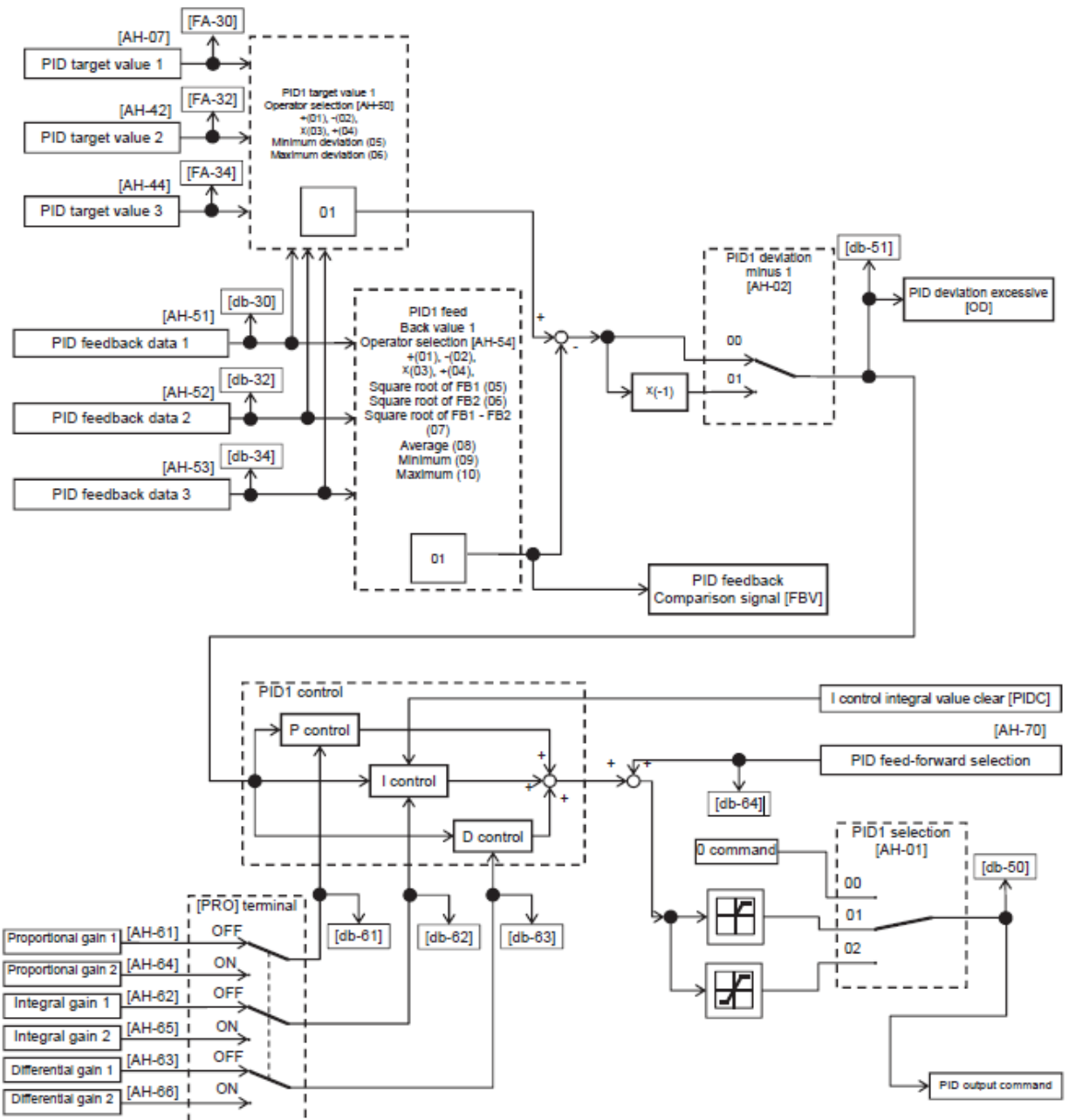
**db-62** – PID current I gain monitor

**db-63** – PID current D gain monitor

**db-64** – PID feed-forward selection monitor

## SJ series type P1 PID Block Diagram

### ■ Block diagram of PID1 control



## Additional Features of the SJ series type P1 with PID control

### PID Soft-Start

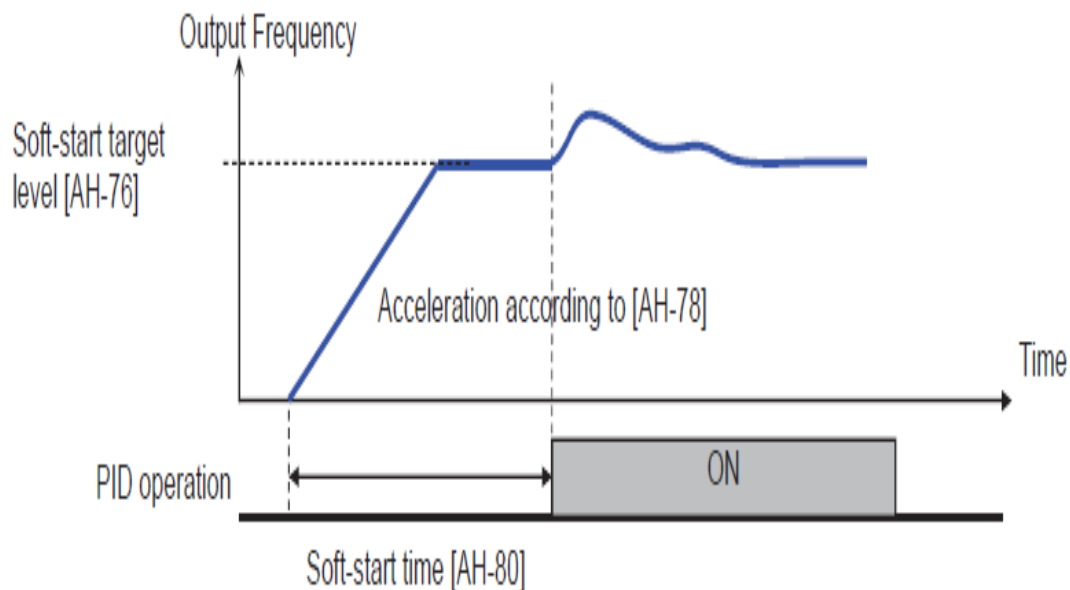
Allows acceleration to a set speed, for a user defined period of time, before changing over to PID mode. For example, this function can be used to reduce water hammer on a pressurized system. Please use the following parameters for PID Soft-Start.

**AH-75** – Enables the PID Soft-Start function

**AH-76** – PID Soft-Start Target Level

**AH-78** – PID Soft-Start Acceleration Time

**AH-80** – PID Soft-Start Time

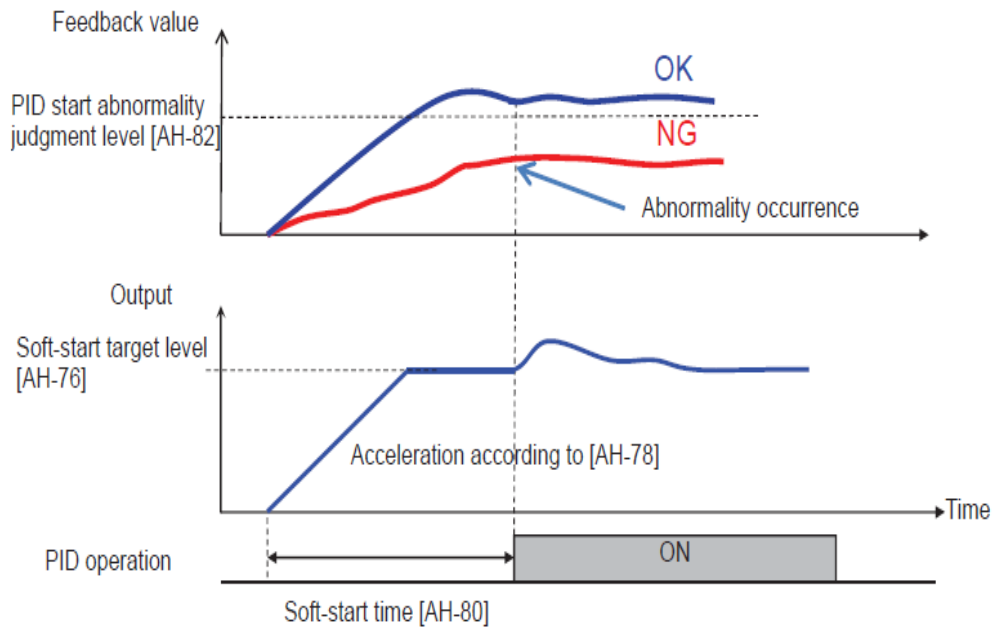


### PID Abnormal Start

Allows the inverter to detect abnormalities in the PID operation. This function can be used to detect breakage of pipes in water systems. This function can cause the inverter to trip with E120 or give a warning on an output programmed as (SSE, function 93). The abnormality is determined when the PID-FB value is lower than the PID start abnormality judgement level, parameter AH-82; when the PID soft start time, AH-80 has elapsed.

**AH-81** – When enabled to function 01 the inverter will trip with E120 (PID start abnormality error). When enabled to function 02, the inverter will activate the output terminal programmed as SSE (function 93) when the abnormality is determined.

**AH-82** – PID start abnormality judgement level



## PID Sleep

The inverter will go to sleep when the PID output is stable for a user defined amount of time. The PID sleep function is normally used in booster pump applications such as pressurized systems in high rise buildings or sustained tank level applications.

**AH-85** – PID Sleep Condition - Function 01 starts sleep operation when the output is low. Function 02 starts operation at the rising edge of the SLEP terminal (function 58).

**AH-86** – PID Sleep Start Level – Level to put the inverter into sleep operation when AH-85 = 01.

**AH-87** – PID Sleep Time – Stand-by time before putting the inverter into sleep operation.

**AH-88** – PID Sleep Boost – Function 01 boosts the target value before going into sleep operation.

**AH-89** – PID Sleep Boost time prior to PID sleep

**AH-90** – PID Sleep Boost amount prior to PID sleep

**AH-91** – PID Minimum operation time prior to PID sleep - The inverter will not start sleep operation until AH-91 has elapsed from start.

**AH-92** – PID Sleep Hold Time – The inverter retains the sleep operation until AH-92 has elapsed, once the sleep operation has started.

**AH-93** – PID Wake Condition – Function 01 cancels the sleep operation when a deviation amount increases in a deceleration direction. Function 02 cancels the sleep operation when feedback value decreases. Function 03 cancels the operation at the rising edge of the WAKE terminal (Function 59).

**AH-94** – PID Wake Start level – Cancels the operation when feedback value goes below the set value when AH-93 is set to function 02.

**AH-95** – PID Wake Operation Time – Stand-by time for operation cancellation when AH-93 is set to function 02.

**AH-96** – PID Wake Start Deviation Amount – Cancels the operation when a deviation between target value and feedback value increases when AH-93 is set to function 01.

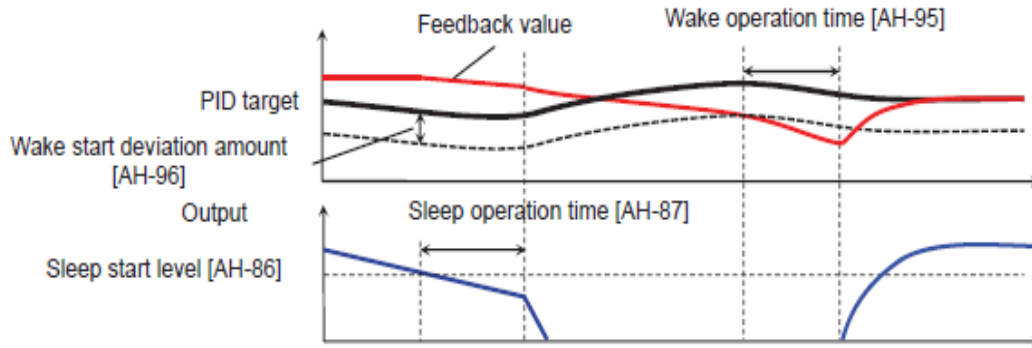
**\*\*Please see the examples below for the PID Sleep Function.\*\***

Example 1) [AH-85] sleep start: 01 (output low)

- Sleep operation starts when the output frequency stays below the level of [AH-86] continuously for the set time of [AH-87].

[AH-93] Sleep cancel: 01 (deviation amount)

- Cancel operation will start when PID deviation stays over [AH-96] continuously for the set time of [AH-95]. Deviation operates with either figure ( $\pm$ ).

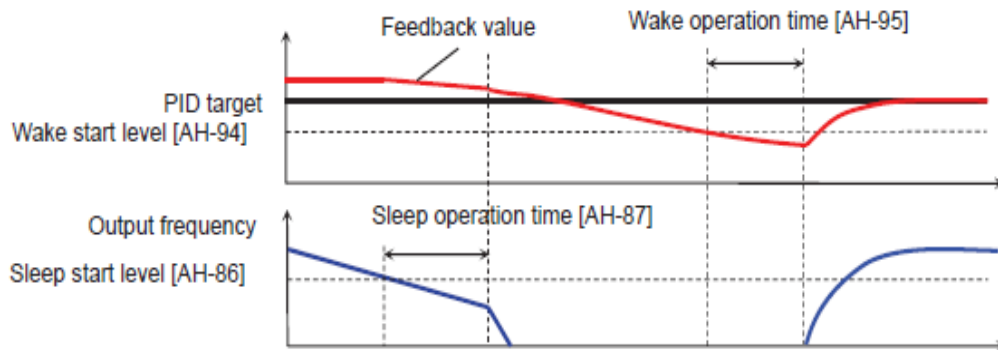


Example 2) [AH-85] sleep start: 01 (output low)

- Sleep operation will start when the output frequency stays below [AH-86] continuously for the set time of [AH-87].

[AH-93] Sleep cancel: 02 (feedback low)

- Cancel operation will start when feedback stays below [AH-94] continuously for the set time of [AH-95].

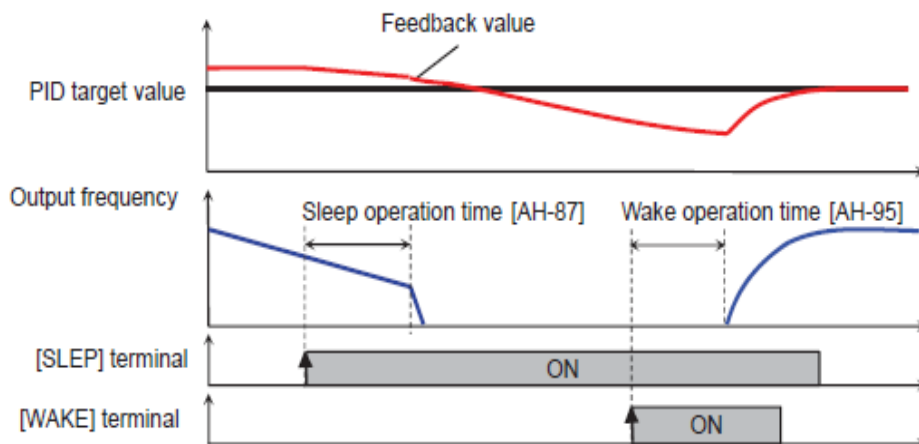


Example 3) [AH-85] sleep start: 02 ([SLEP] terminal)

- Sleep operation starts after the elapse of [AH-87] from the ON edge of the [SLEP] terminal.

[AH-93] Sleep cancel: 03 ([WAKE] terminal)

- Sleep operation will start after the elapse of [AH-95] from the ON edge of the [WAKE] terminal.





Please contact Hitachi America Limited for questions or concerns with the SJ series type P1 inverters or the PID control loops.

Technical Support phone: 980-500-7141

Email: [inverterinfo@hal.hitachi.com](mailto:inverterinfo@hal.hitachi.com)

Web: <http://www.hitachi-america.us/ice/ac-drives-inverters>