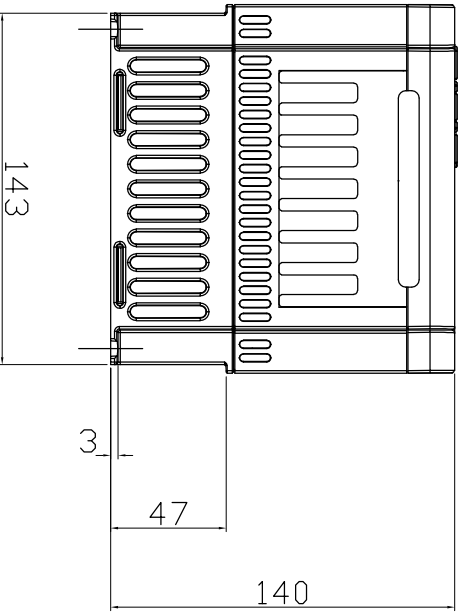
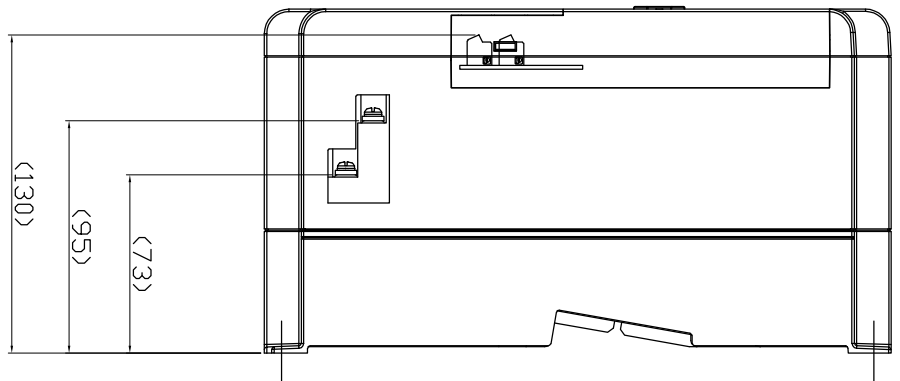
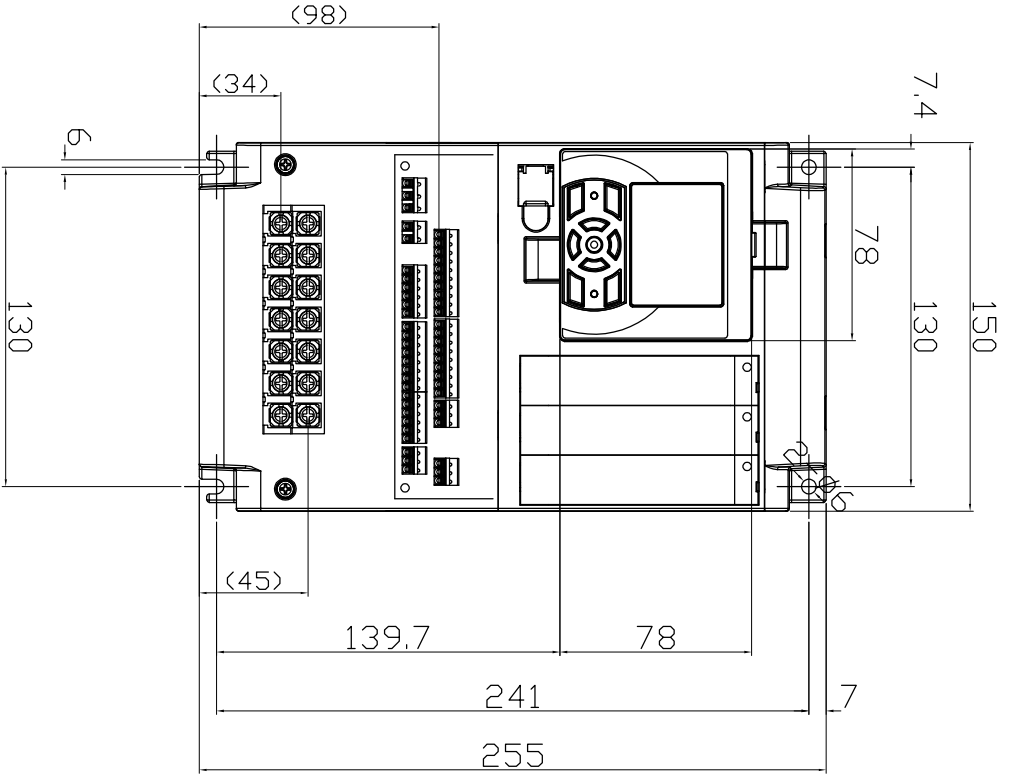


INVERTER MODEL LIST

ITEM NO.	MODEL NUMBER
1	P1-00044LF
2	P1-00080LF
3	P1-00104LF
4	P1-00156LF
5	P1-00228LF
6	P1-00041HF
7	P1-00054HF
8	P1-00083HF
9	P1-00126HF



PROPRIETARY AND CONFIDENTIAL
 THE INFORMATION CONTAINED IN THIS
 DRAWING IS THE SOLE PROPERTY OF
 HITACHI USA LTD. ANY
 REPRODUCTION IN PART OR AS A WHOLE
 WITHOUT THE WRITTEN PERMISSION OF
 HITACHI USA LTD. IS PROHIBITED

UNLESS OTHERWISE SPECIFIED		NAME	DATE	TITLE: P1-00044-00228LF P1-00041-00126HF
DIMENSIONS ARE IN MILLIMETERS		DBM	23 JAN 19	
GENERAL TOLERANCES ACCORDING TO ISO 2768-MF		CHECKED		
INTERPRET GEOMETRIC TOLERANCING PER:		ENG APPR.		
MATERIAL		MFG APPR.		
FINISH		QA		
COMMENTS:		SIZE DWG. NO.		REV
		SCALE:		A
		WEIGHT:		SHEET 1 OF 1