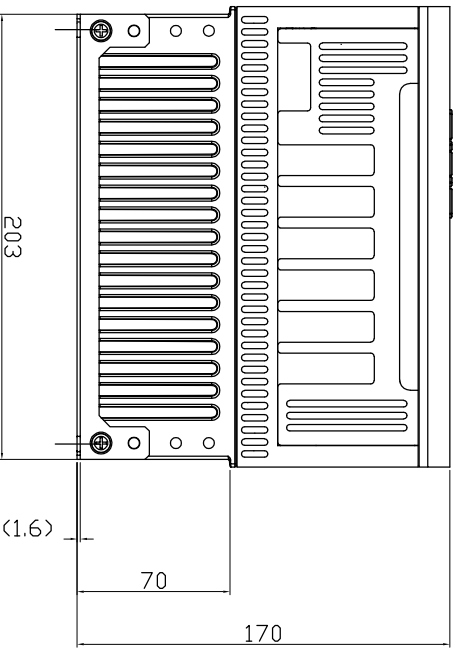
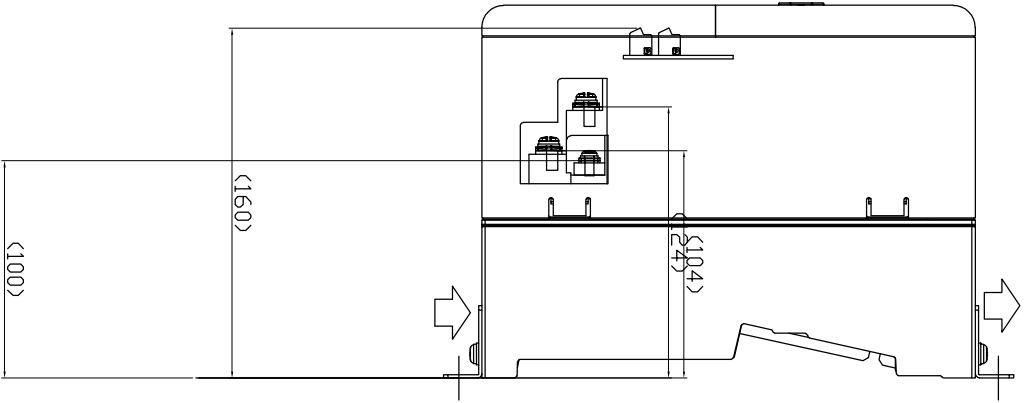
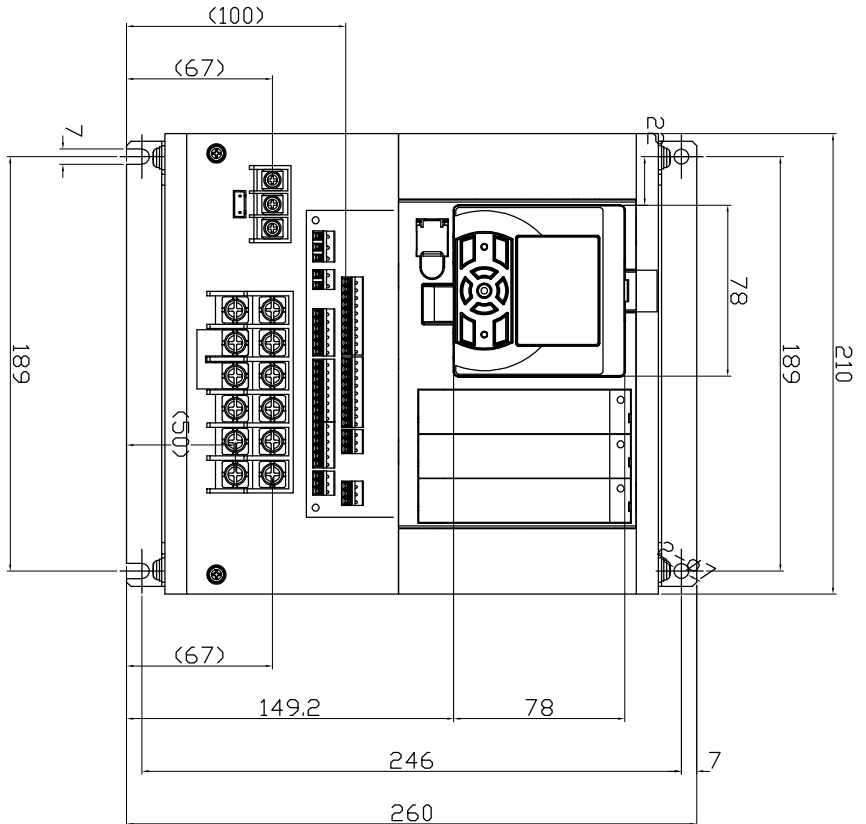


INVERTER MODEL LIST

ITEM NO.	MODEL NUMBER
1	P1-00330LF
2	P1-00460LF
3	P1-00600LF
4	P1-00175HF
5	P1-00250HF
6	P1-00310HF
7	
8	
9	

PROPRIETARY AND CONFIDENTIAL
 THE INFORMATION CONTAINED IN THIS
 DRAWING IS THE SOLE PROPERTY OF
 HITACHI USA LTD. ANY
 REPRODUCTION IN PART OR AS A WHOLE
 WITHOUT THE WRITTEN PERMISSION OF
 HITACHI USA LTD. IS PROHIBITED



UNLESS OTHERWISE SPECIFIED		NAME	DATE	HITACHI-ICED USA
DIMENSIONS ARE IN MM/INCHES		DBM	23JAN19	
GENERAL TOLERANCES ACCORDING TO ISO 2768-MF		DRAWN		TITLE: P1-00330-00600LF P1-00175-00310HF
INTERPRET GEOMETRIC TOLERANCING PER:		CHECKED		
MATERIAL		ENG APPR.		
FINISH		MF'G APPR.		
		Q.A.		
		COMMENTS:		
SCALE:		SIZE DWG. NO.	REV	
WEIGHT:			A	
SHEET 1 OF 1				