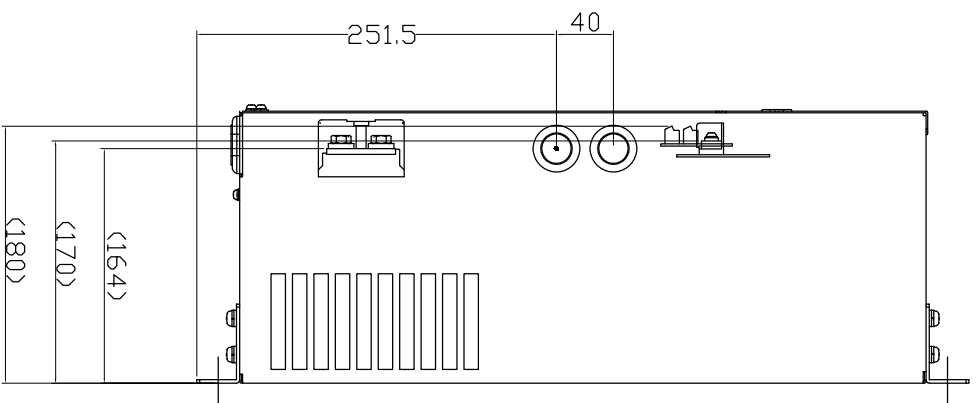
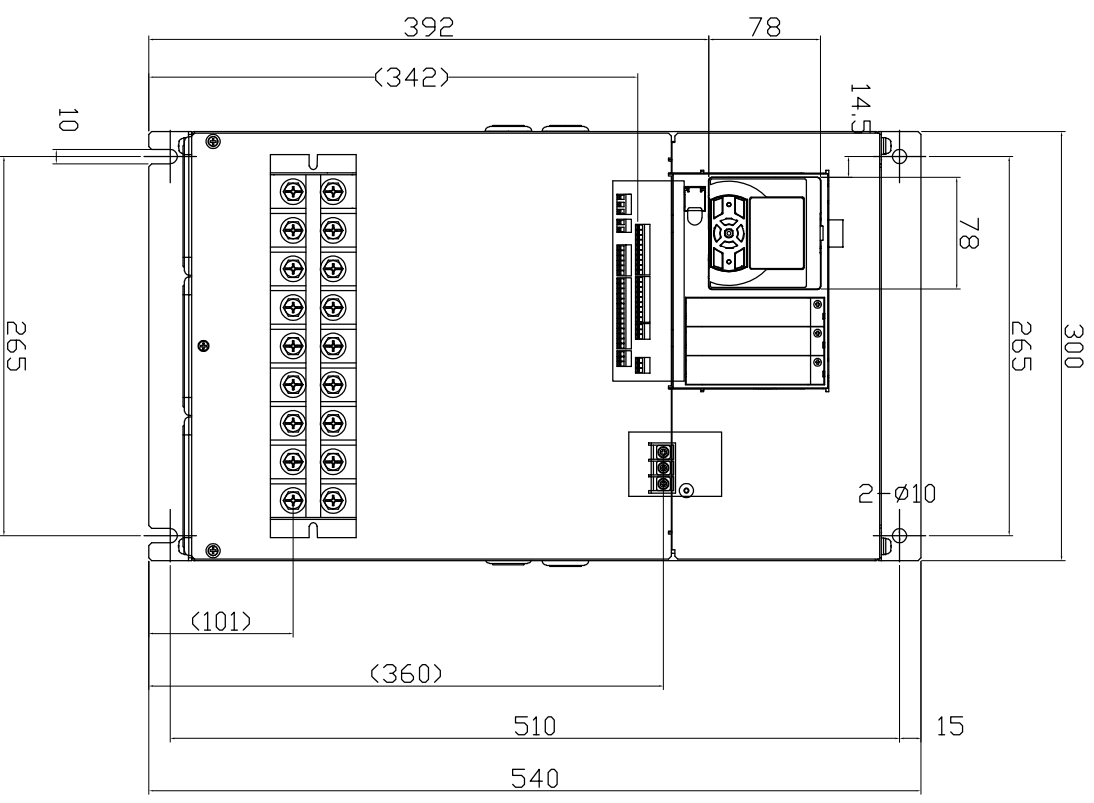
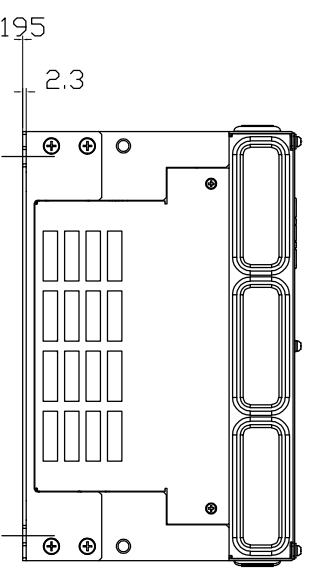


INVERTER MODEL LIST

ITEM NO.	MODEL NUMBER
1	P1-01530LF
2	P1-00770HF
3	
4	
5	
6	
7	
8	
9	



PROPRIETARY AND CONFIDENTIAL
 THE INFORMATION CONTAINED IN THIS
 DRAWING IS THE SOLE PROPERTY OF
 HITACHI USA LTD. ANY
 REPRODUCTION IN PART OR AS A WHOLE
 WITHOUT THE WRITTEN PERMISSION OF
 HITACHI USA LTD. IS PROHIBITED



UNLESS OTHERWISE SPECIFIED		NAME	DATE	TITLE: HITACHI-ICED USA P1-01530LF P1-00770HF
DIMENSIONS ARE IN MILLIMETERS		DBM	23 JAN 19	
GENERAL TOLERANCES ACCORDING TO ISO 2768-MF		CHECKED		
INTERPRET GEOMETRIC TOLERANCING PER:		ENG APPR.		
MATERIAL		MFG APPR.		
FINISH		QA		
COMMENTS:				SIZE DWG. NO.
				SCALE:
				WEIGHT:
				SHEET 1 OF 1
				REV A