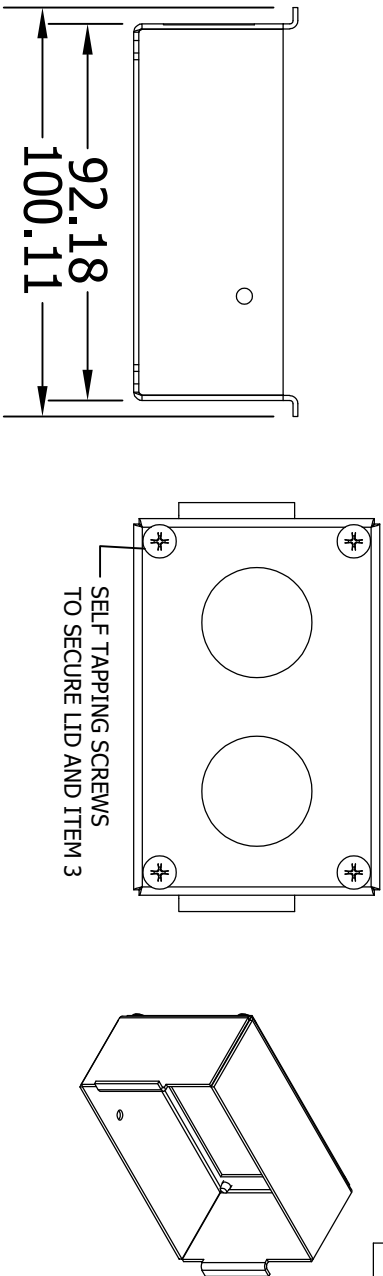
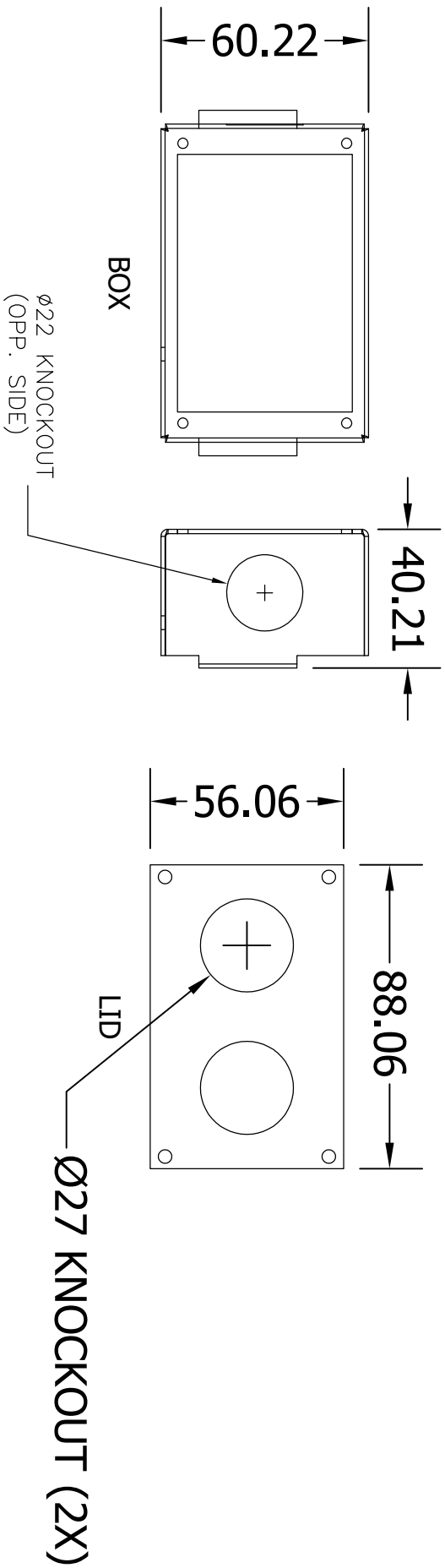


INVERTER MODEL LIST

ITEM NO.	MODEL NUMBER
1	TM-NC-3
2	
3	
4	



PROPRIETARY AND CONFIDENTIAL  
 THE INFORMATION CONTAINED IN THIS  
 DRAWING IS THE SOLE PROPERTY OF  
 HITACHI USA LTD. ANY  
 REPRODUCTION IN PART OR AS A WHOLE  
 WITHOUT THE WRITTEN PERMISSION OF  
 HITACHI USA LTD. IS PROHIBITED



UNLESS OTHERWISE SPECIFIED		NAME	DATE	HITACHI (C) 2019 USA
DIMENSIONS ARE IN MM/INCHES		DBM	23JAN19	
GENERAL TOLERANCES ACCORDING TO ISO 2768-MF/H		DRAWN		TITLE: TM-NC-3 PART 1 OF 1 P1-CB-A
INTERPRET GEOMETRIC TOLERANCING PER:		CHECKED		
MATERIAL		ENG APPR.		
FINISH		MFG APPR.		
COMMENTS:		Q/A		SIZE DWG. NO.
SCALE:		WEIGHT:	SHEET 1 OF 1	REV A